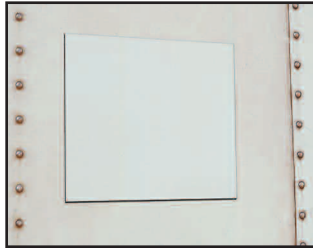


TRAILER REPAIR PATCHES

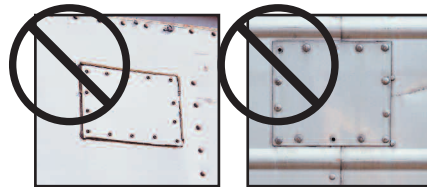
Flexible and Self-Adhering

Designed for quick, permanent, anti-corrosive, watertight repair of skin punctures on aluminum and metal trailer panels and roofs.

White Aluminum Panel Patch Repair



Self-adhering WHITE Aluminum Panel Patch Repair



Eliminates cutting up old panels to create patches for buck riveted or pop riveted applications. Eliminates sealant application around patch perimeter.

Natural Aluminum Panel Patch Repair



Self-adhering Natural Aluminum Panel Patch Repair



Eliminates ugly tar tape patching.

Product Performance Benefits

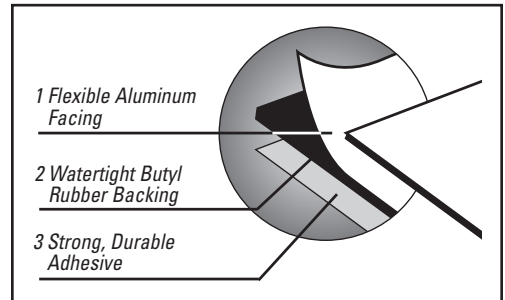
- ◆ Easy to apply, day or night.
- ◆ Self-adhering & flexible.
- ◆ Butyl rubber backing guarantees watertight, anti-corrosive seal.
- ◆ Choice of white panel finish or aluminum finish to match original panel look.
- ◆ Permanent bond.
- ◆ Watertight seal.
- ◆ Fast repair and seal of skin punctures. Trailer is immediately ready for road travel after Patch is applied.
- ◆ 90° PATCH bendability contours to rounded trailer corners & roof edges.
- ◆ No clean-up.

Product Information

Part No.	Description	Units/Case
575	White Aluminum Panel Finish 10" x 12" Patch	10
576	Natural Aluminum Panel Finish 10" x 12" Patch	10
577	White Aluminum Panel Finish 10" x 24" Patch	5
578	Natural Aluminum Panel Finish 10" x 24" Patch	5
579	Transparent Repair Patch 12" x 12"	10
580	Transparent Repair Patch 12" x 24"	5

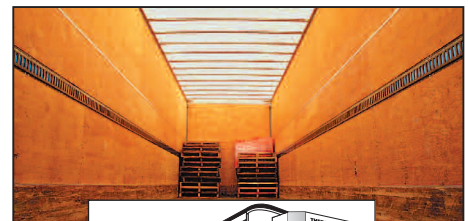


Immediately ready for road travel.



Self-Adhering/Transparent Repair Patches

Transparent Patch Repair on Fiberglass and Kemplite® Roofs – Using the Transparent Patch passes the sunlight through the patch area to complement the natural lighting into the trailer interior.



FDA* allows that the Self-Adhering Transparent Repair Patch can be used to repair FRP panels on inside walls of refrigerated trailers transporting food products. It does not require premarket approval.

(*Food and Drug Administration, Washington, D.C.)